

PV10M

Near-infrared Palm Data Capture Module



PV10M is a touchless module for capturing palm and vein features. It uses a near-infrared fill light, a wide dynamic image sensor, and an aspherical distortion-free camera optical system. It can capture palm and vein images under the palm skin, offering excellent anti-spoofing performance.

There is a built-in high-performance low-power-consumption processor with the frequency up to 400MHz, a USB interface for power supply and communication, supporting a mainstream operating system.

Combined with the ZKPalm SDK, customer can easily develop palm recognition system.

Features

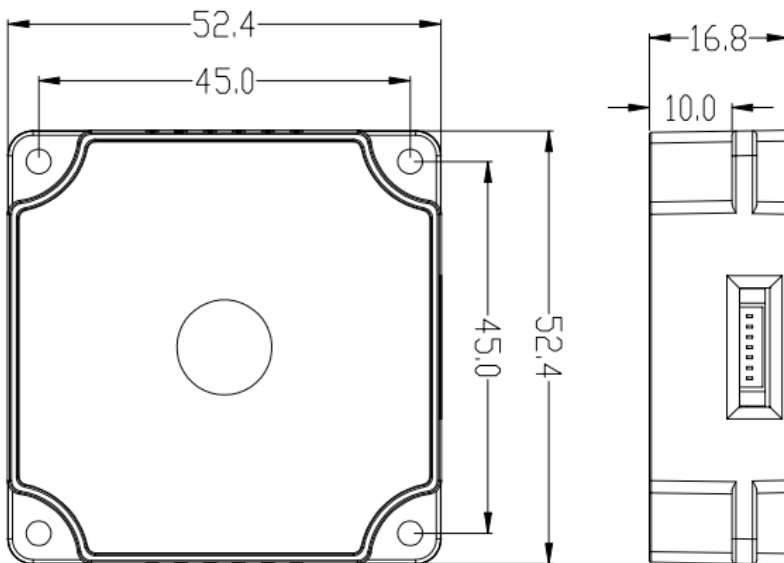
- Touchless technology with small size, and easy to integrate
- Built-in distance detection sensor, effectively reduces standby power consumption
- Wide dynamic image sensor to adapt ambient light in a wide range
- Palm recognition range from 20cm to 35cm
- Capturing high-quality palm images even when the palm is dry or wet

Specifications

Sensor	Grayscale	256 levels
	Image Size	480 * 640
	Distortion Rate	<1%
H/W	Connector	7-pin 1.25mm USB 2.0
	Power Consumption	0.5W (Standby) / 1.5W (Operating)
	Interface	USB 2.0 (High speed)

H/W	Power Requirements	USB 5V
	Temperature	-10°C ~ 45°C / 14°F ~ 113°F
	Humidity	0 ~ 90% RH
	Lighting Environment	Enrollment <800Lux; Authentication <2000Lux
	Dimensions (L*W*H)	52.4 * 52.4 * 16.8mm (±1 mm)
OS	Windows	Windows XP / Windows 7 / Windows10 (32/64bit)
	Android	Android 4.1 or higher
ZKPalm SDK	Recognition Angle	Roll ± 60°, Pitch ± 30°
	Recognition Method	1:1, 1:N
	Capacity	6,000 templates
	Accuracy	FRR=0.68% when FAR=0.001%
	Recognition Time	<300ms (Quad-core Cortex-A9 up to 1.6GHz)
Certifications	CE, FCC, RoHS	

Dimension (mm)



Connector pinout (7pin 1.25mm)

Pin 1	+5 V
Pin 2	GND
Pin 3	Shield GND
Pin 4	USB D-
Pin 5	USB D+
Pin 6	Reserved
Pin 7	Reserved

