

Face Reader KF1000 Series

Visible Light Facial Recognition & RFID Reader



Facial Recognition



RFID



TCP/IP



Wiegand



RS485

Compatible with

ZKBio Access IVS



KF1100

KF1200

KF1000 series is the innovative visible light facial recognition reader dedicated to InBio series biometric controller to adopt facial recognition technology, offering one of the fastest, most stable, most accurate facial recognition experiences in the industry.

As a new-era biometric reader, KF1000 series is equipped with a 100Mb/s high-speed TCP/IP port for face templates and data synchronization. Wiegand and RS485 (coming soon) available to communicate with InBio Controllers for authentication use. The whole system is compiled with the ZKTeco Cyber Security Base Line (ZKCSBL) to ensure that users' data is under the finest protection that ZKTeco can offer.

Features

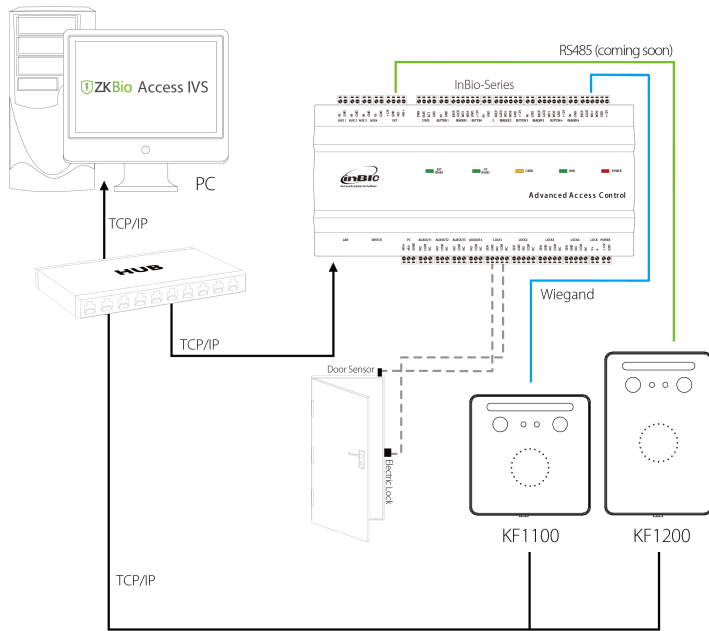
- Equipped with ZKTeco visible light facial recognition, offering one of the best facial recognition technologies in the industry
- Supports up to 1,500 facial/30,000 cards/100,000 records
- Supports multiple communication ports, TCP/IP, Wiegand output, RS485 (coming soon), Wi-Fi (coming soon)
- User-friendly on-board web server for quick system configuration
- Fully compatible with inBio Series controller and ZKBio Access IVS security platform
- Fully complied with ZKCSBL (ZKTeco Cyber Security Base Line). Standard to provide advance protection

Specifications

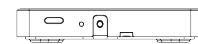
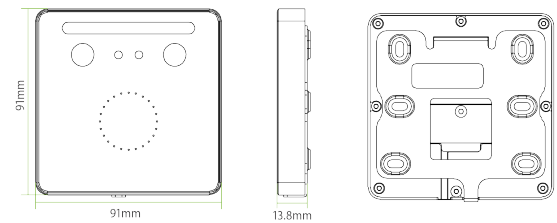
Product Model	KF1100	KF1200
Biometric Method	Visible light facial	Visible light facial
RFID	ID card standard	ID card standard
	IC card (Optional)	IC card (Optional)
User Capacity	30,000	30,000
Card Capacity	30,000	30,000
Face Capacity	1,500	1,500
Logs Capacity	100,000	100,000
Facial Recognition Algorithm	ZKLiveface 3.5	
Facial Recognition Speed	< 0.3s	
Facial Recognition Distance	30cm ~ 50cm	

Facial Recognition Rate	FAR ≤ 0.001%; FRR ≤ 1%	
Mounting	Wall Mount (Compatible with Asian gang-box)	Wall Mount (Compatible with Single gang-box)
Communication	TCP/IP, Wiegand / RS485 (coming soon)	TCP/IP, Wiegand / RS485 (coming soon)
Operation System	Linux	Linux
Optional Functions	Wi-Fi (Coming soon)	Wi-Fi (Coming soon)
Power Supply	≤12V 500mA	≤12V 500mA
Operating Temperature	-10°C to 50°C (14°F to 122°F)	-10°C to 50°C (14°F to 122°F)
Storage Temperature	-20°C to 60°C (-4°F to 140°F)	-20°C to 60°C (-4°F to 140°F)
Operating Humidity	10% to 90%RH	10% to 90%RH
Dimensions (W*H*D)	91*91*13.8 mm	121*80*13.8 mm
Supported Softwares	ZKBio Access IVS	ZKBio Access IVS

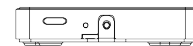
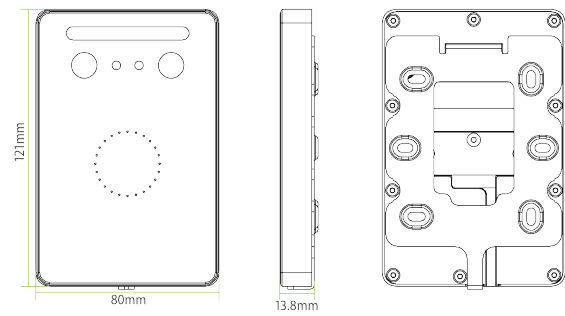
Configuration



Dimensions(mm)



KF1100



KF1200

