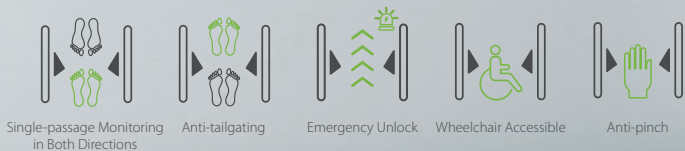


# Mars-B1000 Series

**Mars-B1000** Single-Lane Swing Barrier Turnstile

**Mars-B1011** Single-Lane Swing Barrier Turnstile (w/ controller and RFID reader)

**Mars-B1022** Single-Lane Swing Barrier Turnstile (w/ controller and fingerprint & RFID readers)



## Highly Durable and Low Maintenance Costs

- Modularized structure design
- Exposed mounting holes for easy installation
- Mainly made of SUS304 stainless steel

## PGIC Controller

- Equipped with a PGIC controller
- Access control
- General features and parameters settings on the controller's menu

## LED Indicator

- Visual cues for correct walking direction
- Clear guidance with green and red illustration

## Switchable Reader Panel

- Six panels available:
  - RFID only
  - RFID & Fingerprint
  - RFID & QR Code
  - RFID & Fingerprint & QR Code
  - RFID & Card Slot
  - RFID & Card Slot & QR Code
- Reducing middlemen's inventory pressure
- Reducing installation time & expenses

## Installation Place for Facial Recognition A&C Terminals

- Diameter: 34mm
- Integration with Facial Recognition, Temperature and Mask Detection Terminals

## Infrared Sensors

- 6 pairs of infrared sensors for stronger tailgating detection
- Maximum 12 pairs of sensors could be installed



# Specifications

Model	Mars - B1000 Series
Power Requirements	AC100V to 120V / 200V to 240V, 50 to 60Hz
Working Power	55W; 22W (stand-by)
Drive Unit	Brushless Motor
MCBF	3 millions
Technical Throughput Rate	Up to 25 people per minute
Barrier Movement	Swing
Noise	<60dB
Infrared Sensor	6 pairs (option: ≤12 pairs)
LED Indicator	Support
Working Temperature	-25°C to 65°C
Working Humidity	20% to 95% (non-condensing)
Working Environment	Indoor / Outdoor (if sheltered)
Lane Width	650mm(optional≤900mm)
Dimensions (L*W*H)	1360 * 180 * 1010 (mm) (±5mm)
Dimensions with Packaging (L*W*H)	1510 * 365 * 1216 (mm) (2 boxes)
Net Weight	100kg (±5kg)
Gross Weight	150kg (±5kg)
Cabinet Material	SUS304 stainless steel (option: SUS316 stainless steel)
Lid Material	SUS304 stainless steel
Barrier Material	Arcylic(optional: SUS304 stainless steel or Tempered Glass)
Packing Material	Wooden case
Protection Level	IP34
Warranty	1 year

## Applications



Airports

Stations

Gyms

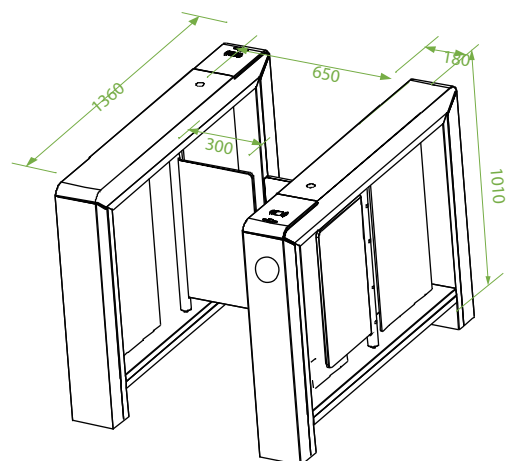


Government Buildings

Hotels

Banks

## Dimensions (mm)



V10.0 12/22/2021

