

# NVR-S2 Series



## Key Features

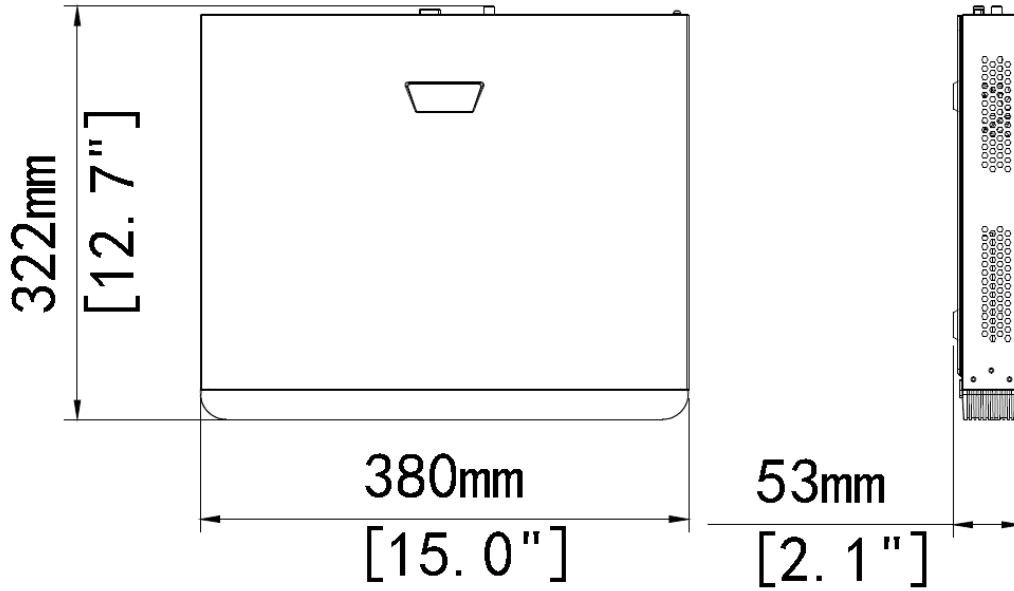
- Support Ultra 265/H.265/H.264 video formats
- 8/16-channel input
- Support mainstream cameras of ONVIF conformance(Profile S, Profile G, Profile T ) and RTSP protocols
- Support HDMI and VGA simultaneous output
- Up to 8 Megapixels resolution recording
- 2 SATA HDDs, up to 8TB for each HDD
- Support cloud upgrade

## Specifications

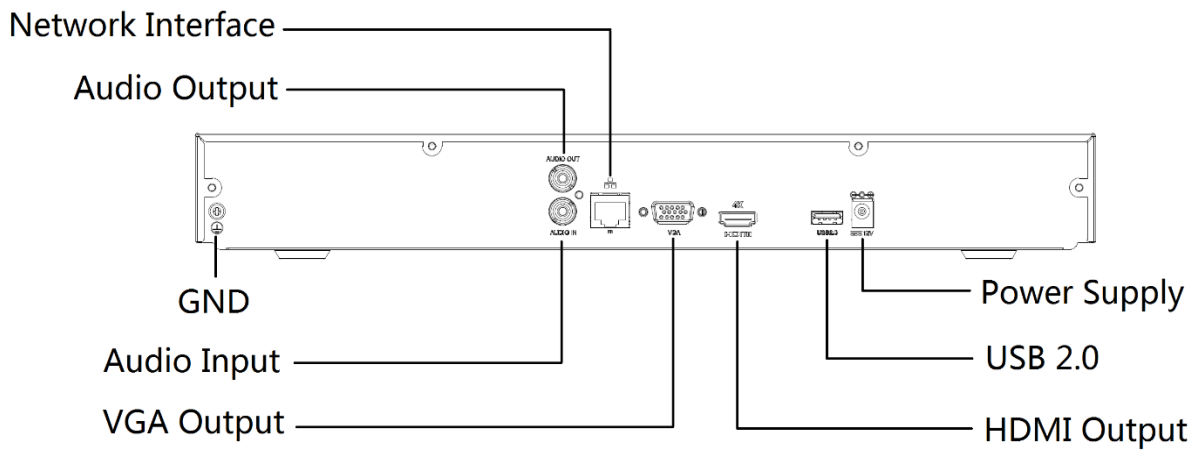
Model	NVR-208S2	NVR-216S2
<b>Video/Audio Input</b>		
IP Video Input	8-ch	16-ch
Two-way Audio Input	1-ch, RCA	
<b>Network</b>		
Incoming Bandwidth	160Mbps	
Outgoing Bandwidth	96Mbps	
Remote Users	128	
Protocols	TCP/IP, P2P, UPnP, DHCP, HTTP, HTTPS, DNS, DDNS, SMTP	
<b>Video/Audio Output</b>		
HDMI/VGA Output	VGA: 1024X768@60, 1280X720@60, 1280X1024@60, 1600x1200@60, 1920X1080@50, 1920X1080@60 HDMI: 1024X768@60, 1280X720@60, 1280X1024@60, 1600x1200@60, 1920X1080@50, 1920X1080@60, 4K(3840x2160@30)	

Recording Resolution	8MP/6MP/5MP/4MP/3MP/1080p/960p/720p/D1/2CIF/CIF	
Audio Output	1-ch, RCA	
Audio Compression	G.711A, G.711U	
Synchronous Playback	8-ch	16-ch
Live View Display	1/4/6/8/9	1/4/6/8/9/16
Corridor Mode Screen	3/4/5/7/9	3/4/5/7/9/10/12/16
<b>Decoding</b>		
Decoding format	Ultra 265/H.265/H.264	
Live view/Playback	8MP/6MP/5MP/4MP/3MP/1080p/960p/720p/D1/2CIF/CIF	
Capability	1 x 4K@30, 2 x 4MP@30, 3 x 3MP@25, 4 x 1080P@30, 8 x 720P@30	1 x 4K@30, 2 x 4MP@30, 3 x 3MP@25, 4 x 1080P@30, 8 x 720P@30, 16 x D1
<b>Hard Disk</b>		
SATA	2 SATA interfaces	
Capacity	Up to 8TB for each disk (The maximum HDD capacity varies with environment temperature)	
<b>Smart</b>		
VCA Detection by Camera	Intrusion Detection, Cross Line Detection, Enter Area, Leave Area	
VCA Search	Behavior Search	
Smart Intrusion Prevention (SIP) by Camera	4-ch	
<b>General Alarm</b>		
General Alarm	Motion, Human Body Detection, Video Loss, Alarm Input	
Alert Alarm	IP Conflict, Network Disconnected, Disk Offline, Disk Abnormal, Illegal Access	
<b>External Interface</b>		
Network Interface	1 RJ-45 10M/100M/1000M self-adaptive Ethernet Interface	
USB Interface	Front panel: 1 x USB2.0, Rear panel: 1 x USB2.0	
RS232	NA	
RS485	NA	
Alarm In	NA	
Alarm Out	NA	
<b>General</b>		
Power Supply	12V DC Power Consumption: ≤7 W (without HDD)	
Working Environment	-10°C~+ 55°C (+14°F~+131°F), Humidity ≤ 90% RH (non-condensing)	
Dimensions (W×D×H)	380mm ×322mm × 53mm (15.0" × 12.7" ×2.1")	
Weight (without HDD)	≤1.6kg (3.53lb)	
<b>Certification</b>		
Certification	CE FCC RoHS WEEE	

Dimensions



Rear Panel



[www.uniview.com/uniarch](http://www.uniview.com/uniarch)

©2022 Zhejiang Uniview Technologies Co., Ltd. All rights reserved.

\*Product specifications and availability are subject to change without notice.